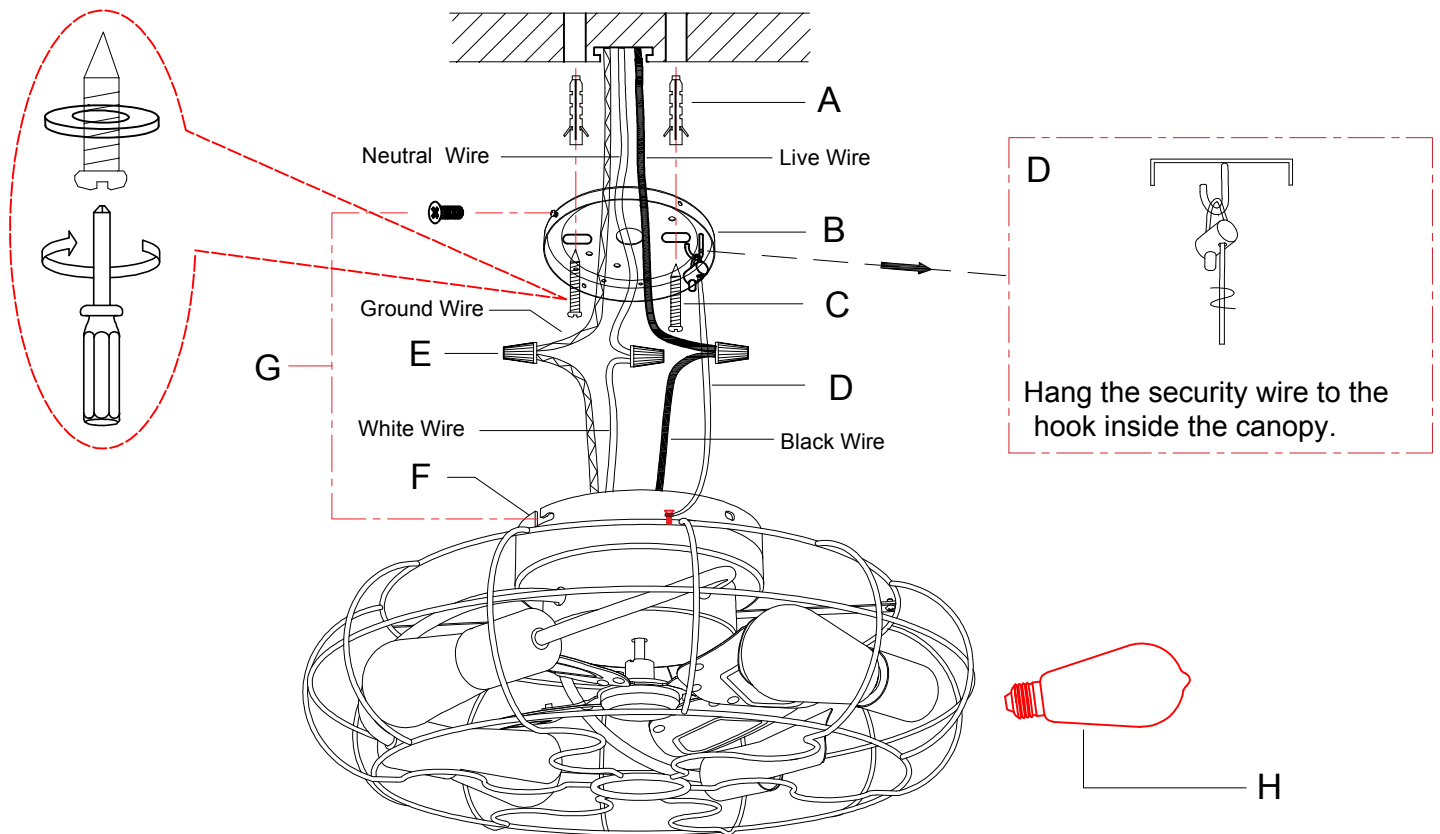


ITEM NO. :T7245-4CU

ASSEMBLY INSTRUCTIONS

1. Drill 4 holes on the ceiling according to the size of drywall anchors and tap the drywall anchors (D) into the holes.
2. Attach the canopy (B) to the ceiling using the screws (C) to secure.
3. Hang the security wire (D) to the hook inside the canopy.
4. Connect the fixture wire to the circuit wire by wire nuts (E), black wire with live wire, white wire with neutral wire, ground wire with ground wire.
5. Fix the lamp body (F) to the mounting plate (B) with the ball nuts (G).
6. Screw the bulb (H) into the lamp holder.

Please consult a qualified Electrician if you are not familiar with electrical wiring.



Installation Guide (Without a Junction Box)

